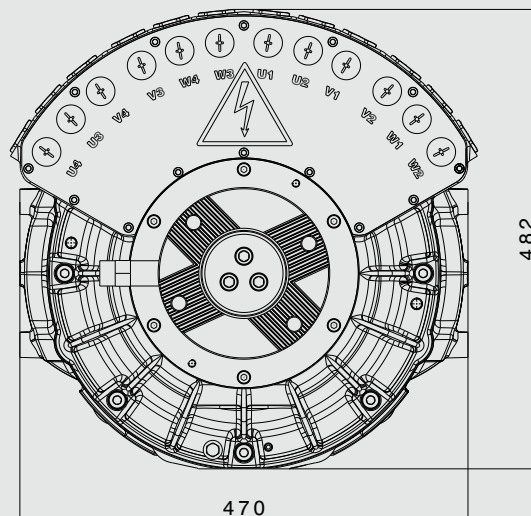
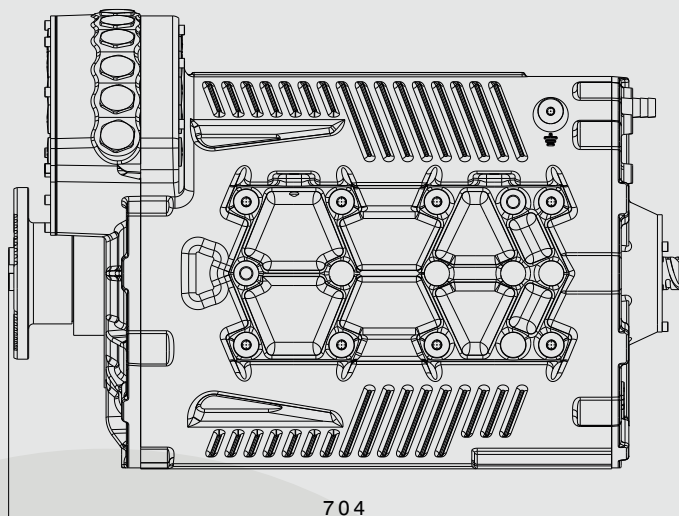


TMPW 34A-28-8

Permanent Magnet Synchronous Motor for Medium Duty Applications



Technical Data

Motor	MD.T3	MD.T12
HV connection	3	12
DC link voltage	600 - 900 V	300 - 450 V
Max. speed	4800 rpm	4800 rpm
Power (peak 1 min continuous 30 min)	330 240 kW	230 150 kW
Torque (peak 20 s continuous 30 min)	2500 1042 Nm	2500 1059 Nm

	MD.T3	MD.T12
Total weight	275 kg	280 kg
Protection class	IP6K9K (ISO 20653)	
Cooling system	Liquid-cooled (Water + Glycol)	

Available with 3, 6, 9 or 12 HV connections and various winding designs.

Looking for an electric drive system?

This motor can be delivered as part of a complete electric drive solution thanks to strategic partnerships.

Your advantages at a glance

- * noise-optimized system
- * high-end-insulation system
- * made in Europe
- * can meet Buy America requirements
- * longlife bearing concept
- * high power density
- * operation with various inverter types possible
- * Long-Life Value Service

Contact us!
Headquarters Austria

✉ road@tsa.at
www.tsa.at/road



Traktionssysteme Austria GmbH
Brown-Boveri-Str. 1
2351 Wiener Neudorf
Austria

