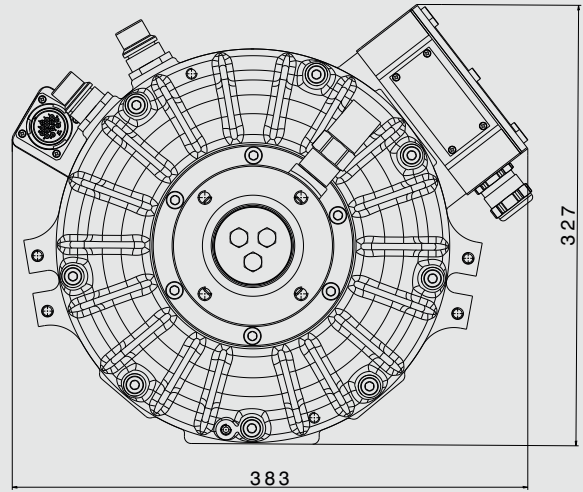
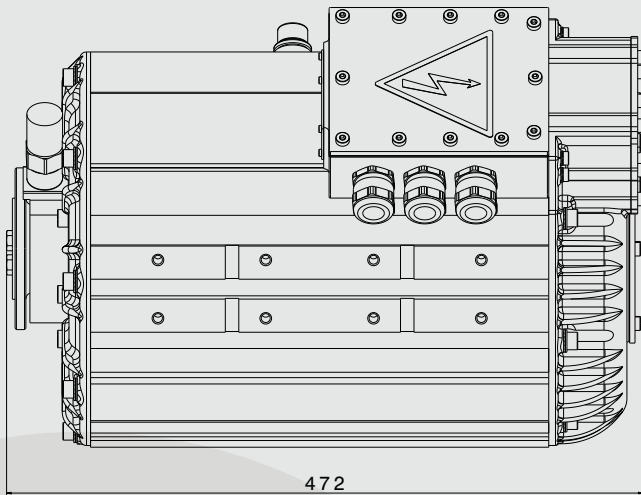


# TMPW 25A-26-8

Permanent Magnet Synchronous Motor for Light Duty Applications



## Technical Data

### Motor

DC link voltage	484 - 748 V
Max. speed	4800 rpm
Power (peak 1 min   continuous 30 min)	217   94 kW
Torque (peak 30 s   continuous 30 min)	1200   500 Nm

Total weight	135 kg
Protection class	IP6K9K (ISO 20653)
Cooling system	Liquid-cooled (Water + Glycol)

**Available with 3, 6, 9 or 12 connections and various winding designs.**

## Looking for an electric drive system?

This motor can be delivered as part of a complete electric drive solution thanks to strategic partnerships.

## Your advantages at a glance

- \* noise-optimized system
- \* high-end-insulation system
- \* made in Europe
- \* can meet Buy America requirements
- \* longlife bearing concept
- \* high power density
- \* operation with various inverter types possible
- \* Long-Life Value Service

**Contact us!**  
**Headquarters Austria**  
✉ [road@tsa.at](mailto:road@tsa.at)  
[www.tsa.at/road](http://www.tsa.at/road)



**Traktionssysteme Austria GmbH**  
Brown-Boveri-Str. 1  
2351 Wiener Neudorf  
Austria

