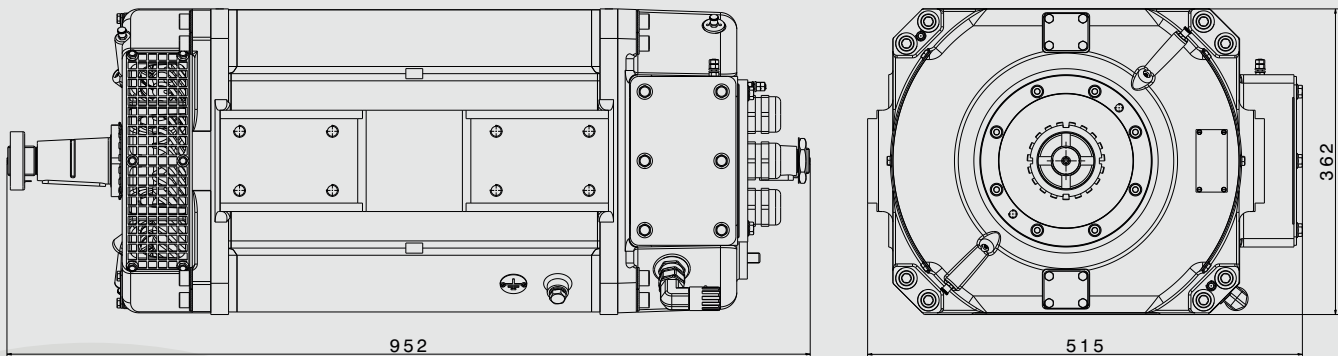


# TMF 35-44-4

Asynchronous Motor for Heavy Duty Applications



## Technical Data

### Motor

DC link voltage	600 - 900 V
Max. speed	4800 rpm
Power (peak 1 min   continuous 30 min)	427   308 kW
Torque (peak 1 min   continuous 30 min)	2800   1600 Nm

Total weight	480 kg
Protection class	IP20   IP65 (ISO 20653) (traction motor   terminal box)
Cooling system	Air-cooled, forced ventilated

**Different winding design possible.**

## Looking for an electric drive system?

This motor can be delivered as part of a complete electric drive solution thanks to strategic partnerships.

## Your advantages at a glance

- \* noise-optimized system
- \* high-end-insulation system class R (220 °C)
- \* made in Europe
- \* can meet Buy America requirements
- \* longlife bearing concept
- \* operation with various inverter types possible
- \* proven and robust technology
- \* Rare earth element (REE) free
- \* Long-Life Value Service

### Contact us! Headquarters Austria

✉ [road@tsa.at](mailto:road@tsa.at)  
[www.tsa.at/road](http://www.tsa.at/road)



**Traktionssysteme Austria GmbH**  
Brown-Boveri-Str. 1  
2351 Wiener Neudorf  
Austria

